



2001 AC/DC ROTATING SIREN

- **Rated at 128 dBC - the loudest siren in the industry**
- **High output can be heard over 4 square miles away**
- **Operates on batteries**
- **Best siren for severe weather warning applications**



DESCRIPTION

The 2001 is a unique innovation in high power outdoor siren products. It is a rotational electromechanical siren that can operate on batteries. A documented signal strength of 128dBC at 100 feet makes it the loudest siren we offer. The 2001 siren produces a 60 degree projection of sound which rotates at 2-8 RPM which makes this siren a perfect choice for community emergency notification. The siren can be easily mounted on a standard utility pole. Controlling the siren with the FC controller makes radio activation possible in remote areas, while the Vedette Siren Activation System is the preferred controller when using the 2001 for fire department operations.

FEATURES

The 2001DC utilizes an input voltage of only 120VAC, eliminating the need for expensive three-phase electric service at the siren location (the AC model runs on 220 or 240VAC). The 2001DC siren can supply a minimum of 15 minutes of full siren output from its batteries in the event of a power failure, and many hours of operation in standby mode. Where required, 2-way control can be added to this siren to allow reporting capabilities for applications that require it. Siren controllers can be configured for local or remote activation, including wireless (radio) control. All outdoor warning equipment is easily installed by any licensed electrician.



AUDIOTECH DIGITAL SIGNAL CORPORATION

PO Box 427 / 59 First St. • Wurtsboro, New York 12790

TEL: (845) 888-8000 FAX: (845) 888-0146 www.adsig.com

(800) 99-SIREN

2001 SIREN SPECIFICATIONS

Outdoor Rating: 128 dBC @ 100' on axis
Effective Range: 5,600 feet
Siren Type: Rotating unidirectional (2-8 RPM, adjustable)
Output Frequency (steady): 750 Hz
Motor Type: Series wound DC 6 HP
Rotator: Permanent Magnet DC 1/3 HP

SIGNALS AVAILABLE*

Vedette: User-adjustable Wail
FC Controller: Wail, Steady and Fast Wail (non-adjustable)

DIMENSIONS

Height x Width x Depth: 55" x 37" x 41"
Siren Weight: 410 lbs (186.4 kg)
Operating Temperature: -30°C to +60°C **
Recommended Mounting Height: 35' - 40' (9-11 m)

POWER REQUIREMENTS

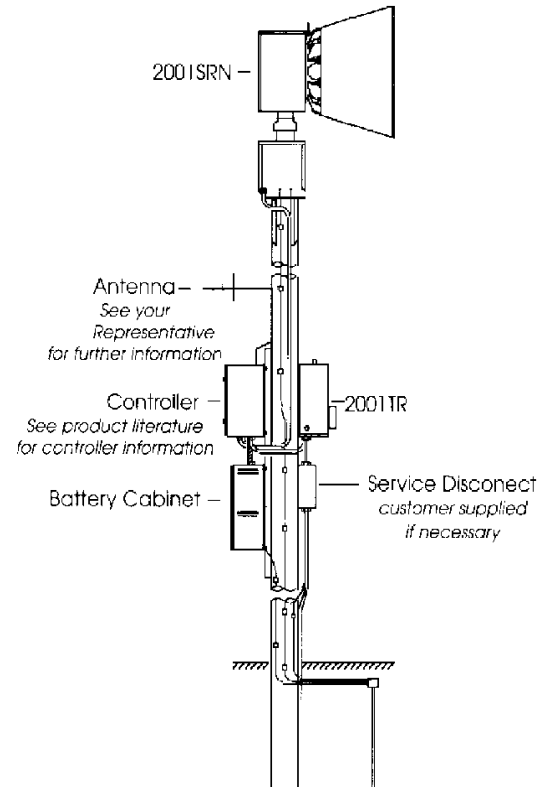
208/220/240 VAC, (AC model); 120VAC (DC model)
Current- siren: 100A@48VDC; **rotator:** 3A@48VDC
Wiring to motor: 2AWG **To rotator:** 12AWG

OTHER NOTES

* Siren controllers must be purchased separately.

** The siren can operate throughout this temperature range provided that the battery temperature is maintained at -18°C or higher.

- Batteries are not included with the 2001DC. Four (4) Delco Voyager Model M24MF batteries are required.
- A Rotator Holding Relay is required if not using the FC or Vedette as the siren controller.



AUDIOTECH DIGITAL SIGNAL CORPORATION

PO Box 427 / 59 First St. • Wurtsboro, New York 12790

TEL: (845) 888-8000 FAX: (845) 888-0146 www.adsig.com

(800) 99-SIREN